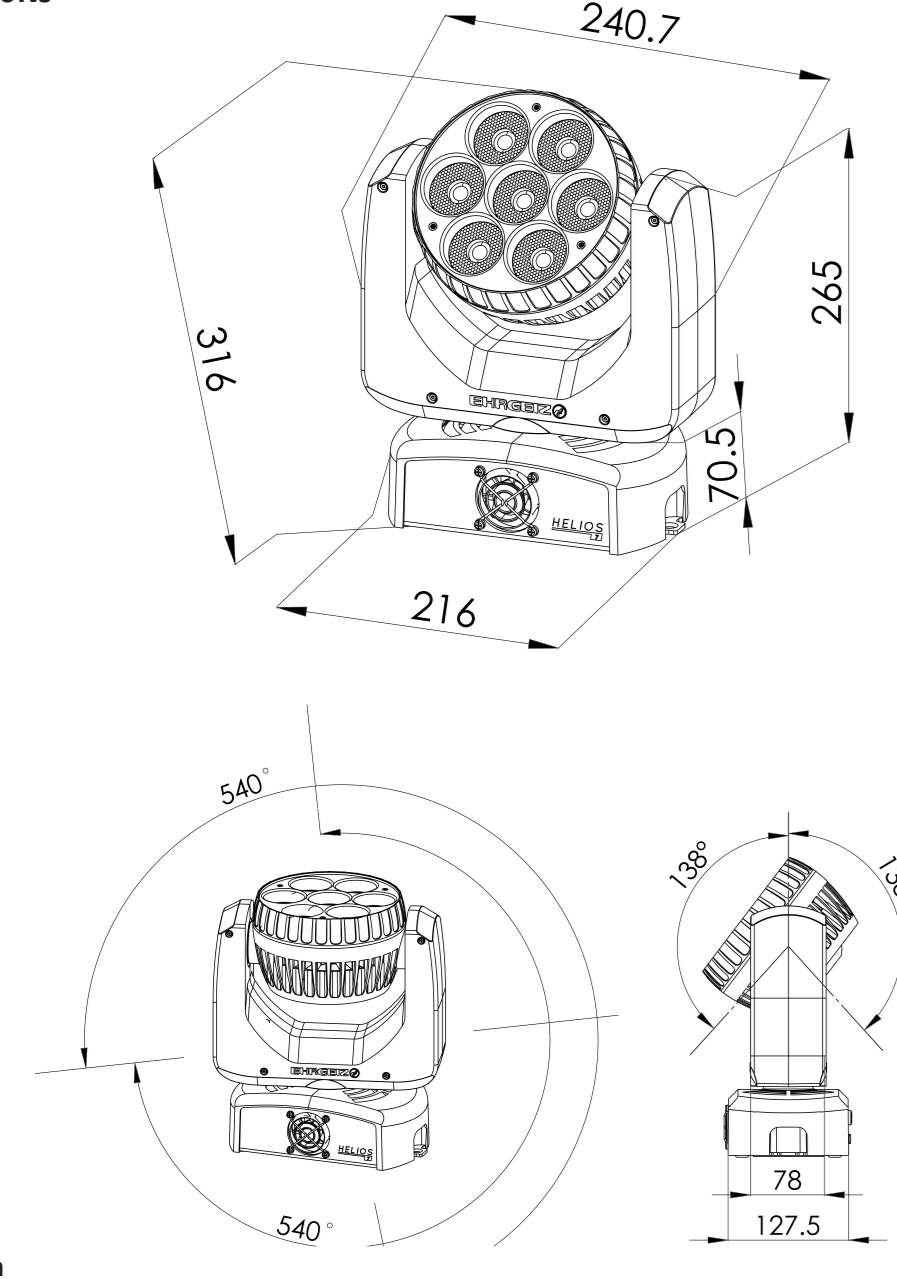


HELIOS 7// HARD SKILLS



[CODE 105414]

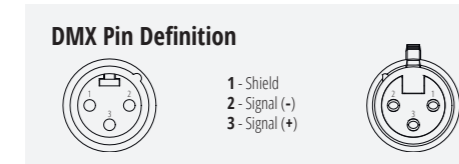
FIXTURE DIMENSIONS



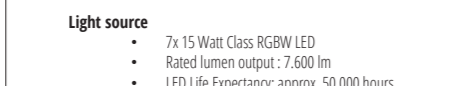
Factory Default Cheat:



ACCESSORIES



DMX Pin Definition



DMX Pin Definition

SPECIFICATIONS

- Light source: 7x 15 Watt Class II RGBW LED, Rated lumen output: 7.600 lm, LED Life Expectancy: approx. 50.000 hours.
Optical system: Consistent Color™ Optics, Beam angle: 8°
Movement: High precision 2 phase stepping motors, 16-bit Pan/Tilt control, Precision feedback system, Pan and Tilt movement range: 540°/270°
Functions: RGBW, 8 or 16 bit color mixing, Smooth Color™ Dimming, Seamless CTO, Virtual color wheel with 39 colours including whites, Pattern effects with variable speed, High resolution dimmer @ 100%, Selectable dimmer curves, Strobe with variable speed (max. 20 Hz), Pre-programmed random strobe & pulse effects.
Thermal: Maximum ambient temperature: 45° C (113° F), Intelligent fan control, 4 fan modes.
Control and programming: Setting & Addressing: 2x 16 characters LC display & 4 buttons, Protocol: sDMX (DMX-512), Control channels: 16, 17, 18, 20, 26, 59, 5 DMX protocol modes, 3-rotatable programs, each up to 25 steps, Stand-alone mode, Firmware update via DMX-line, DMX In/Out, RS-485, Power In/Out, Neutral power/COM/D.
Electrical Specification: Electronic switching power supply with auto-sensing, Input voltage: 100-260V AC, 50/60 Hz, Max. power consumption: 150 Watt, Fuse protection: 1.6A (6.3x32 mm).
Mechanical Specification: Height: 305 mm (12.07"), Width: 300 mm (11.81"), Depth: 135 mm (5.31"), Weight: 4.8 kg (10.6 lbs).
Rigging: Centered M10 insert nut, 2 attachment points for safety wire.
Included accessories: Diffusion filter 18" x 59", Diffusion filter holder with 3 mounting screws, Cable power/DM.

SPECIFICATIONS

- Light source: 7x 15 Watt Class II RGBW LED, Rated lumen output: 7.600 lm, LED Life Expectancy: approx. 50.000 hours.
Optical system: Consistent Color™ Optics, Beam angle: 8°
Movement: High precision 2 phase stepping motors, 16-bit Pan/Tilt control, Precision feedback system, Pan and Tilt movement range: 540°/270°
Functions: RGBW, 8 or 16 bit color mixing, Smooth Color™ Dimming, Seamless CTO, Virtual color wheel with 39 colours including whites, Pattern effects with variable speed, High resolution dimmer @ 100%, Selectable dimmer curves, Strobe with variable speed (max. 20 Hz), Pre-programmed random strobe & pulse effects.
Thermal: Maximum ambient temperature: 45° C (113° F), Intelligent fan control, 4 fan modes.
Control and programming: Setting & Addressing: 2x 16 characters LC display & 4 buttons, Protocol: sDMX (DMX-512), Control channels: 16, 17, 18, 20, 26, 59, 5 DMX protocol modes, 3-rotatable programs, each up to 25 steps, Stand-alone mode, Firmware update via DMX-line, DMX In/Out, RS-485, Power In/Out, Neutral power/COM/D.
Electrical Specification: Electronic switching power supply with auto-sensing, Input voltage: 100-260V AC, 50/60 Hz, Max. power consumption: 150 Watt, Fuse protection: 1.6A (6.3x32 mm).
Mechanical Specification: Height: 305 mm (12.07"), Width: 300 mm (11.81"), Depth: 135 mm (5.31"), Weight: 4.8 kg (10.6 lbs).
Rigging: Centered M10 insert nut, 2 attachment points for safety wire.
Included accessories: Diffusion filter 18" x 59", Diffusion filter holder with 3 mounting screws, Cable power/DM.

SPECIFICATIONS

- Light source: 7x 15 Watt Class II RGBW LED, Rated lumen output: 7.600 lm, LED Life Expectancy: approx. 50.000 hours.
Optical system: Consistent Color™ Optics, Beam angle: 8°
Movement: High precision 2 phase stepping motors, 16-bit Pan/Tilt control, Precision feedback system, Pan and Tilt movement range: 540°/270°
Functions: RGBW, 8 or 16 bit color mixing, Smooth Color™ Dimming, Seamless CTO, Virtual color wheel with 39 colours including whites, Pattern effects with variable speed, High resolution dimmer @ 100%, Selectable dimmer curves, Strobe with variable speed (max. 20 Hz), Pre-programmed random strobe & pulse effects.
Thermal: Maximum ambient temperature: 45° C (113° F), Intelligent fan control, 4 fan modes.
Control and programming: Setting & Addressing: 2x 16 characters LC display & 4 buttons, Protocol: sDMX (DMX-512), Control channels: 16, 17, 18, 20, 26, 59, 5 DMX protocol modes, 3-rotatable programs, each up to 25 steps, Stand-alone mode, Firmware update via DMX-line, DMX In/Out, RS-485, Power In/Out, Neutral power/COM/D.
Electrical Specification: Electronic switching power supply with auto-sensing, Input voltage: 100-260V AC, 50/60 Hz, Max. power consumption: 150 Watt, Fuse protection: 1.6A (6.3x32 mm).
Mechanical Specification: Height: 305 mm (12.07"), Width: 300 mm (11.81"), Depth: 135 mm (5.31"), Weight: 4.8 kg (10.6 lbs).
Rigging: Centered M10 insert nut, 2 attachment points for safety wire.
Included accessories: Diffusion filter 18" x 59", Diffusion filter holder with 3 mounting screws, Cable power/DM.

SPECIFICATIONS

- Light source: 7x 15 Watt Class II RGBW LED, Rated lumen output: 7.600 lm, LED Life Expectancy: approx. 50.000 hours.
Optical system: Consistent Color™ Optics, Beam angle: 8°
Movement: High precision 2 phase stepping motors, 16-bit Pan/Tilt control, Precision feedback system, Pan and Tilt movement range: 540°/270°
Functions: RGBW, 8 or 16 bit color mixing, Smooth Color™ Dimming, Seamless CTO, Virtual color wheel with 39 colours including whites, Pattern effects with variable speed, High resolution dimmer @ 100%, Selectable dimmer curves, Strobe with variable speed (max. 20 Hz), Pre-programmed random strobe & pulse effects.
Thermal: Maximum ambient temperature: 45° C (113° F), Intelligent fan control, 4 fan modes.
Control and programming: Setting & Addressing: 2x 16 characters LC display & 4 buttons, Protocol: sDMX (DMX-512), Control channels: 16, 17, 18, 20, 26, 59, 5 DMX protocol modes, 3-rotatable programs, each up to 25 steps, Stand-alone mode, Firmware update via DMX-line, DMX In/Out, RS-485, Power In/Out, Neutral power/COM/D.
Electrical Specification: Electronic switching power supply with auto-sensing, Input voltage: 100-260V AC, 50/60 Hz, Max. power consumption: 150 Watt, Fuse protection: 1.6A (6.3x32 mm).
Mechanical Specification: Height: 305 mm (12.07"), Width: 300 mm (11.81"), Depth: 135 mm (5.31"), Weight: 4.8 kg (10.6 lbs).
Rigging: Centered M10 insert nut, 2 attachment points for safety wire.
Included accessories: Diffusion filter 18" x 59", Diffusion filter holder with 3 mounting screws, Cable power/DM.

SAFETY



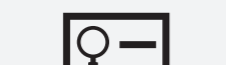
Has to be installed by qualified personnel



Abroad local regulations



Abroad local regulations



Only connect to a suitable power supply



Pay attention to the safety instructions in the manual



Use an M10 Bolt for installation which is extended 20 – 25 mm into the housing

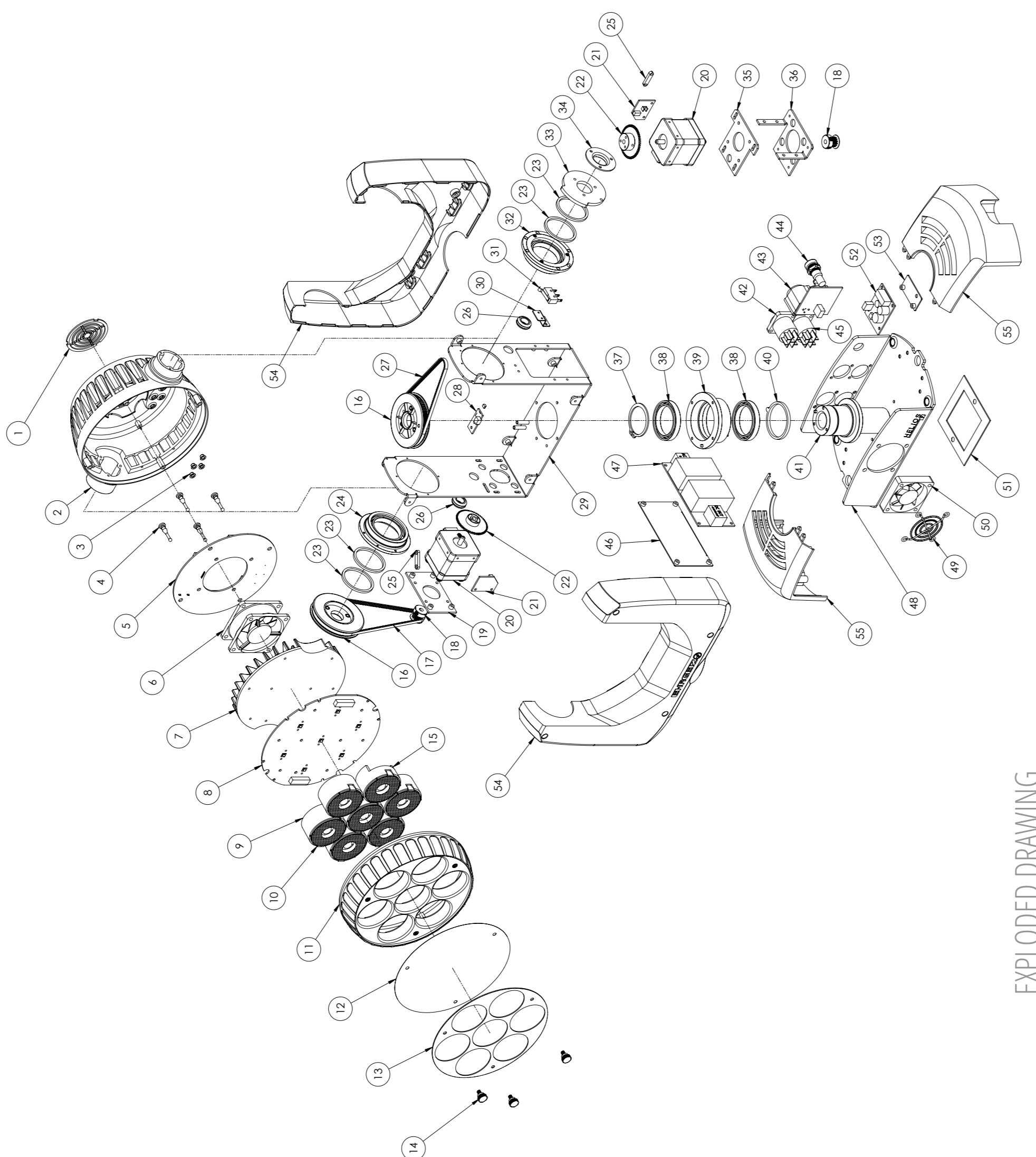


Always use a suitable safety rope



Always has to be grounded properly

IP20



SPAREPARTS table with columns for #, DESCRIPTION, QTY, ITEM NO. listing various components like Fan grille, LED board, Diffuser filter, etc.

EXPLODED DRAWING

HELIOS 7// SOFT SKILLS

MENU MAP

Menu Map table listing DMX Address, Address +/-, and descriptions for various settings like DMX Mode, P/T Setting, Personality, Dimmer Curve, Dimmer Speed, Cooling Mode, MIC Enable, MIC Sensitivity, Reset via DMX, Display Setting, Test Sequence, Master / Slave, Stand Alone, Program Edit, Program Play, Service, Feature Time, Feature Temp, Version, Serial Number, Refresh Rate, PAN file, TILT file, TILT file, Control, CTO, Color Wheel, Red, Green, Blue, White, Dimmer, Strobe.

DMX MODES

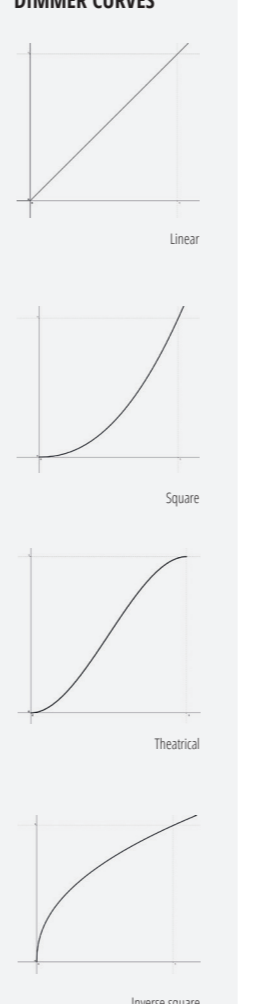
STANDARD MODE

DMX Mode Standard Mode table with columns for CH, FUNCTION, and values 1-16.

COMPRESSED RGBW MODE

DMX Mode Compressed RGBW Mode table with columns for CH, FUNCTION, and values 1-11.

DIMMER CURVES



COMPRESSED RGB MODE

DMX Mode Compressed RGB Mode table with columns for CH, FUNCTION, and values 1-11.

ADVANCED MODE

DMX Mode Advanced Mode table with columns for CH, FUNCTION, and values 1-21.

PIXEL MAPPING MODE

DMX Mode Pixel Mapping Mode table with columns for CH, FUNCTION, and values 1-11.

SPECIAL CONTROL CHANNEL

Special Control Channel table with columns for VALUE, FUNCTION, and descriptions for values 0-10, 11-15, 16-20, 21-25, 25-30, 31-35, 36-40, 41-45, 46-50, 51-55, 56-60, 61-65, 66-70, 71-75, 76-80, 81-85, 86-90, 91-95.

SHUTTER CHANNEL TABLE

Shutter Channel Table with columns for VALUE, FUNCTION, and descriptions for values 0-15, 16-47, 48-79, 80-111, 112-143, 144-199, 200-239, 240-255.

COLOURWHEEL TABLE

Colour Wheel Table with columns for VALUE, FUNCTION, and descriptions for values 0-5, 6-10, 11-15, 16-20, 21-25, 26-30, 31-35, 36-40, 41-45, 46-50, 51-55, 56-60, 61-65, 66-70, 71-75, 76-80, 81-85, 86-90, 91-95, 96-100, 101-105, 106-110, 111-115, 116-120, 121-125, 126-130, 131-135, 136-140, 141-145, 146-150, 151-155, 156-160, 161-165, 166-170, 171-185, 186-190, 191-205, 206-210, 211-225, 226-230, 231-235, 236-240, 241-245, 246-250, 251-255.

SHUTTER CHANNEL TABLE

Shutter Channel Table with columns for VALUE, FUNCTION, and descriptions for values 0-15, 16-47, 48-79, 80-111, 112-143, 144-199, 200-239, 240-255.

PATTERNS

Helios 7 Animation Pattern

Patterns table listing DMX 000-051, DMX 052-131, DMX 132-211, DMX 212-255 with descriptions like Static, Chase Animation, Fade Animation.



PATTERNS

Helios 7 Animation Pattern

Patterns table listing DMX 000-051, DMX 052-131, DMX 132-211, DMX 212-255 with descriptions like Static, Chase Animation, Fade Animation.

